

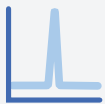
# Solo 1064

## Narrow Linewidth CW DPSS Laser



The Solo 1064 Narrow Linewidth Laser Series delivers ultra-stable output power and wavelength as well as excellent beam quality. Designed for stand-alone operation or integration into existing systems, the Solo 1064 NL has a small footprint, long-term reliability, and versatile software package – making it ideal for a variety of NIR applications, such as Raman Spectroscopy.

### KEY FEATURES



**Narrow Linewidth**  
≤ 0.1 nm



**Ultra-Stable Output**  
± 1.5 % over 8 hours



**Designed for Integration**



**Excellent Beam Quality**

### APPLICATIONS

Raman Spectroscopy - Optical Manipulation - Flow Cytometry - Brillouin Scattering - Interferometry - Fluorescence - Microscopy, and more.

#### Specifications

##### Output Beam Parameters:

Output Power	Up to 3.5 W*
Wavelength	1064 nm
Spectral Bandwidth	≤ 0.1 nm
Spatial Mode	TEM <sub>00</sub>
Output Power Stability	± 1.5 % (over 8 hour operation)
Output Power Noise	≤ 0.1 % RMS (10 Hz – 10 MHz)
Beam Divergence	≤ 0.5 mrad
Beam Diameter at Output Aperture	2.0 - 3.0 mm
Polarisation Ratio	≥ 100:1, vertical

##### Integration Features:

Plug-In USB Connectivity
Versatile Control Software
Remote Diagnostic Support
Heatsink Options
Fibre-Coupling Options

##### Laser Head Dimensions:

L x W x H	222 x 80 x 65 mm
Beam Height	45 mm

##### Environmental Conditions:

Ambient Temperature Range	18 – 30 °C
Laser Head Interface Stability	± 1.5 °C
Storage	0 – 50 °C
Humidity	5 – 95 %, non-condensing

##### Optional Accessories:

Heatsink	Fan-Assisted as Standard
	Water-Cooled with Thermoelectric Chiller**

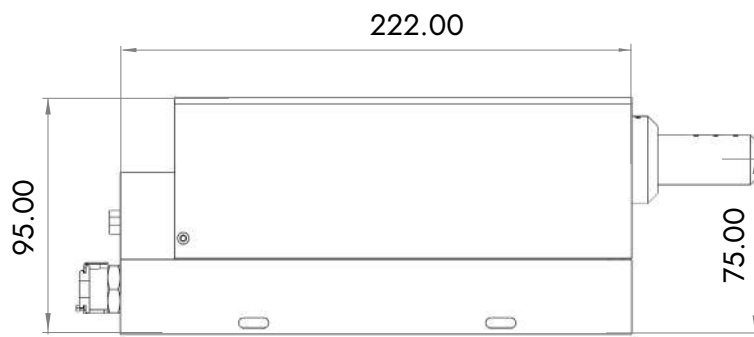
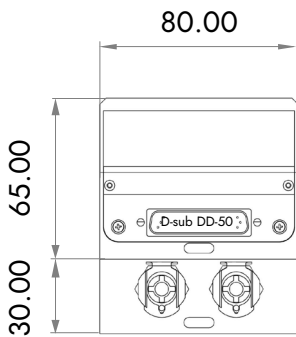
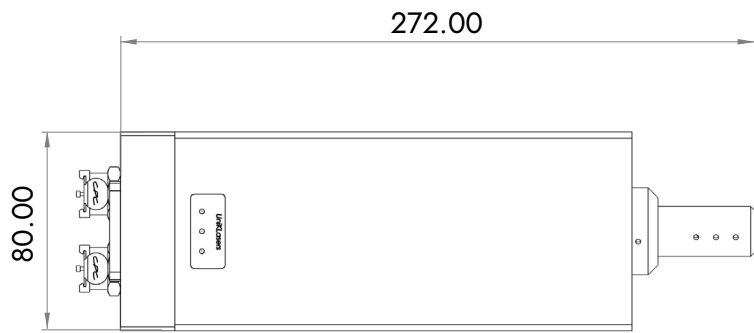
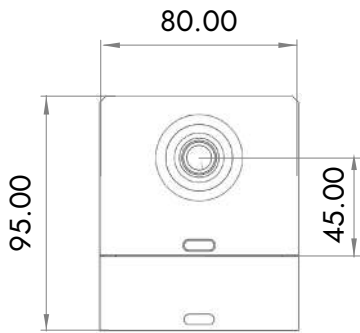
Low Power Alignment Beam Mode

\* Other output powers available on request

\*\* Available at additional cost

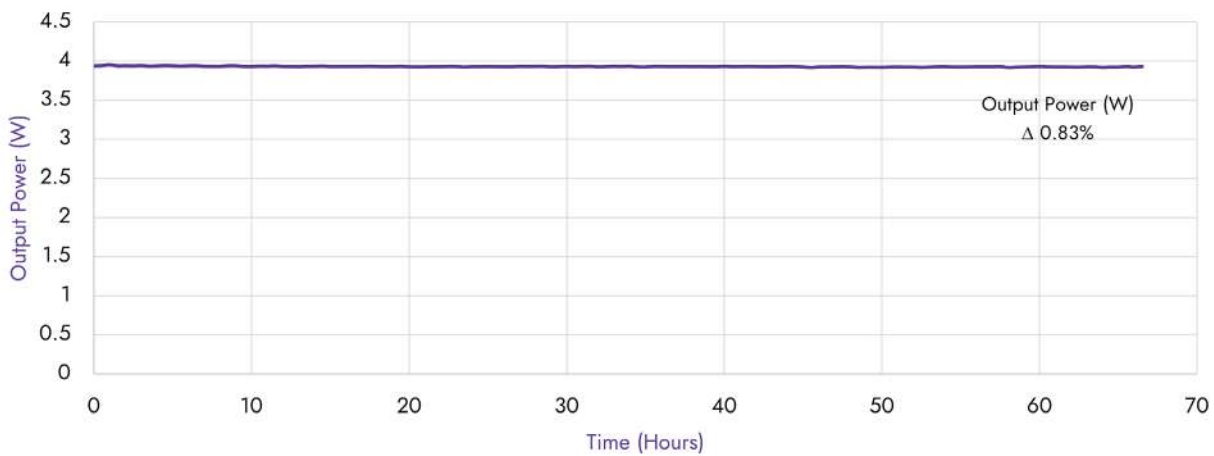
## Laser and Heatsink Dimensions

272 x 80 x 95 mm



## Performance Data

Longterm Output Power Stability



## CONTACT US

- ✉ [info@uniklasers.com](mailto:info@uniklasers.com)
- ☎ +44 (0)131 333 2200
- 🌐 [uniklasers.com](http://uniklasers.com)

DESIGNED &  
MANUFACTURED  
IN THE UK



AVOID EYE OR SKIN EXPOSURE TO  
DIRECT OR SCATTERED RADIATION  
CLASS 4 LASER PRODUCT  
MAX. POWER: 1000 mW  
(IEC 60825-1)